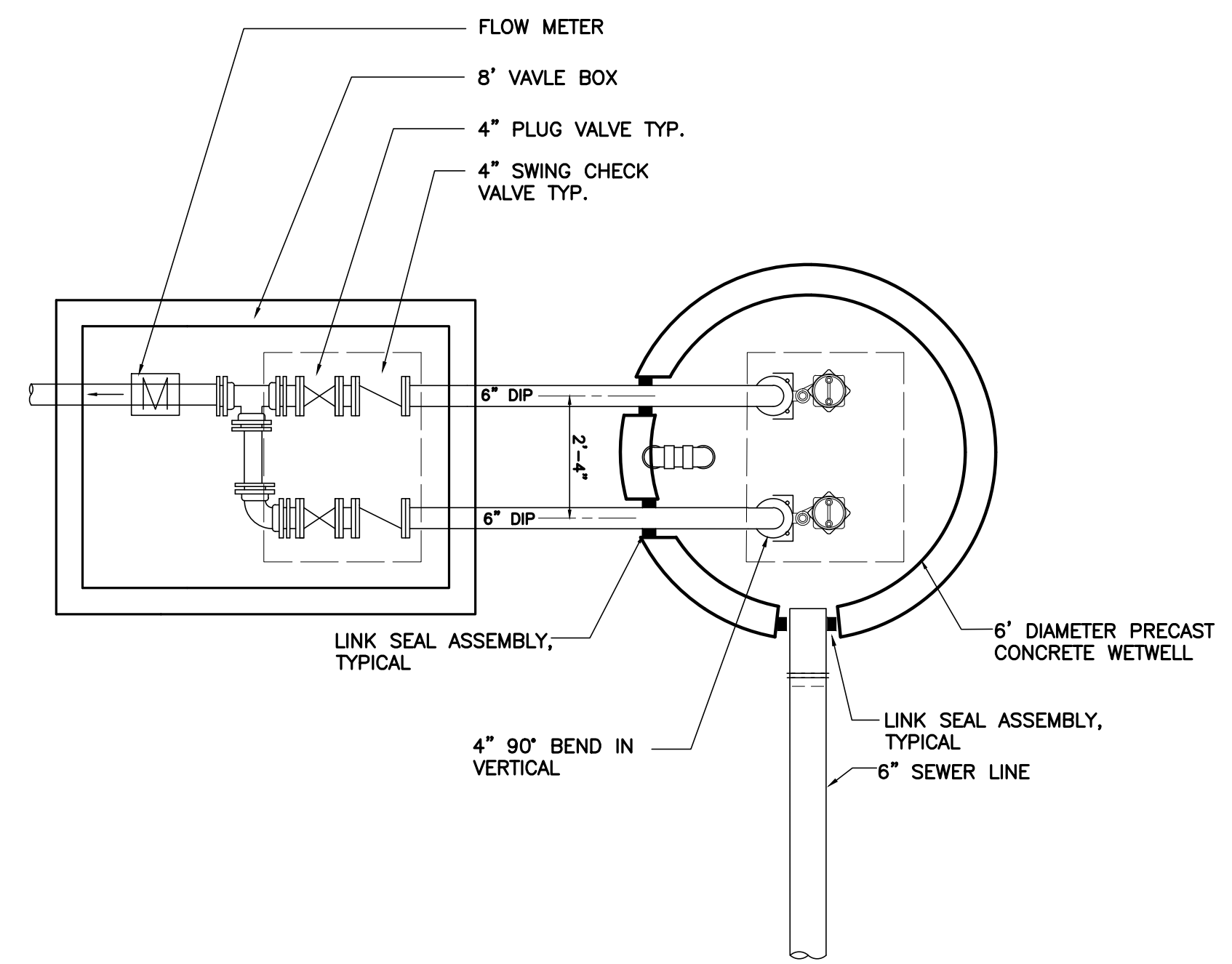
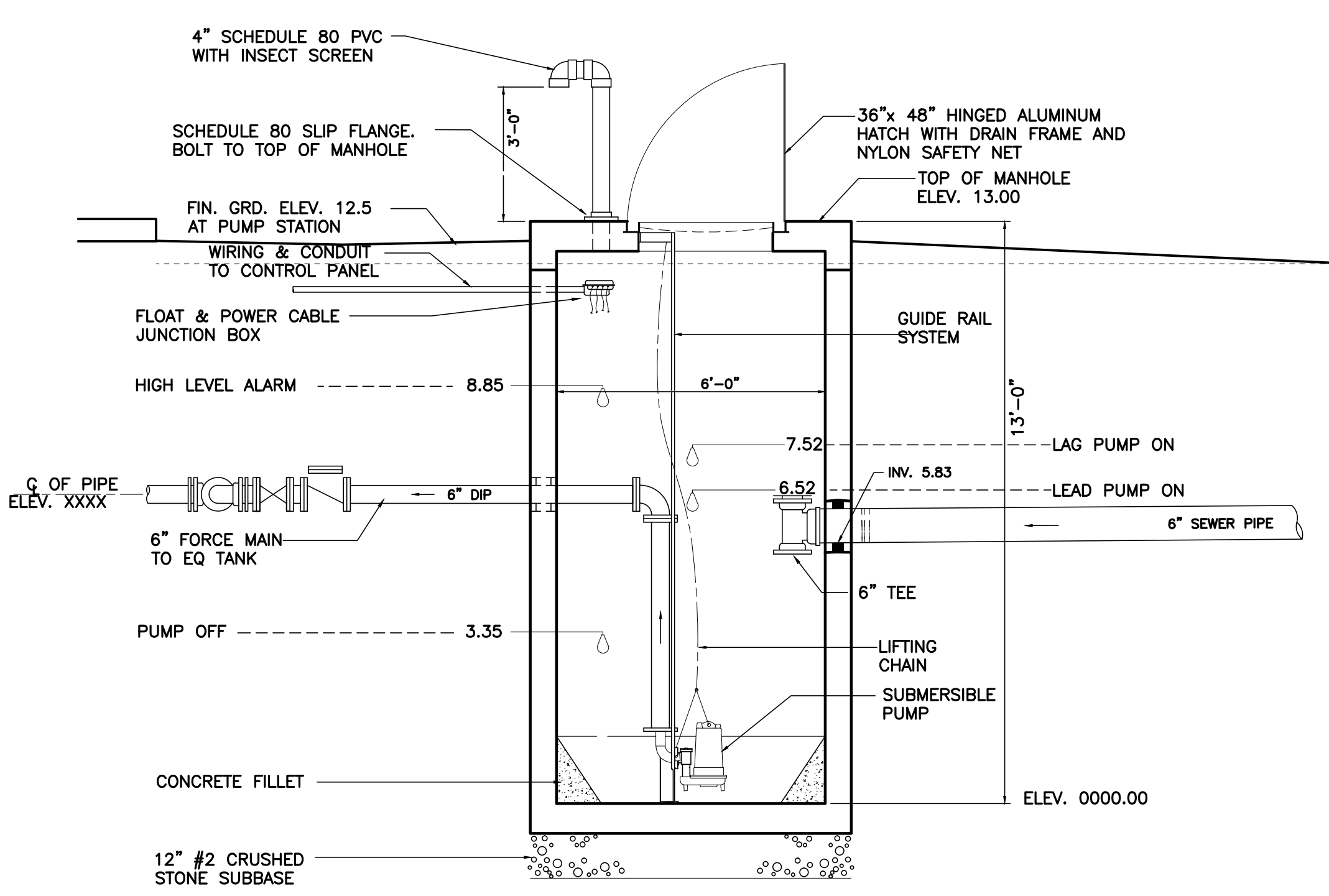


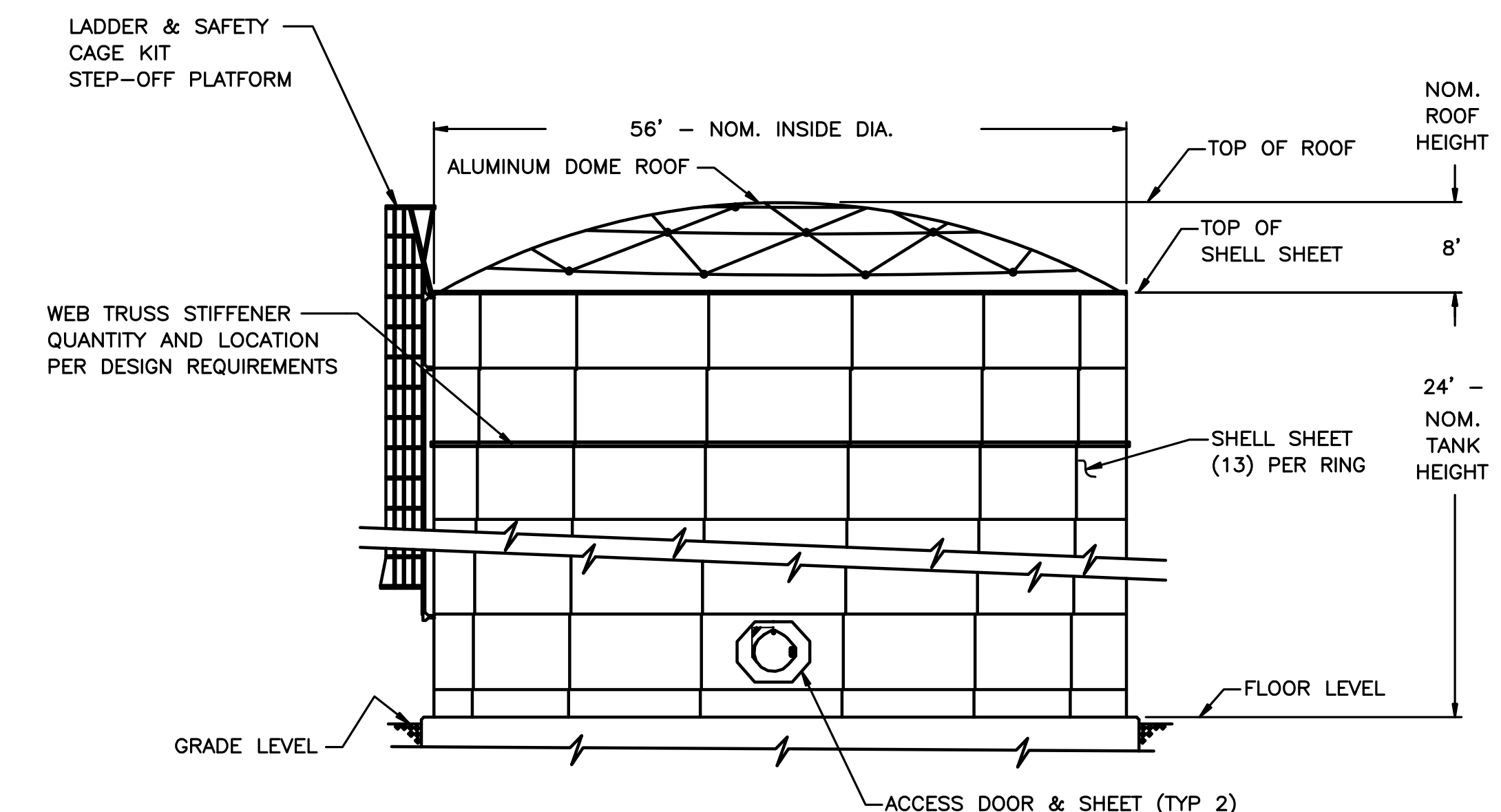
1 SITE PLAN
 PN20 SCALE: 1"=20'
 CROSS REFERENCE: NONE



2 PLAN WETWELL
 PN20 SCALE: 3/8"=1'
 CROSS REFERENCE: NONE



3 SECTION WETWELL
 PN20 SCALE: 3/8"=1'
 CROSS REFERENCE: NONE



4 TANK PLAN
 PN20 SCALE: 1"=1'
 CROSS REFERENCE: NONE